

## 限位开关 Proximity switches

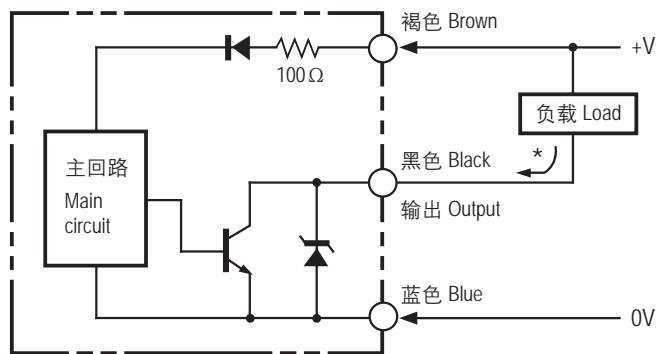


### 产品特性 Product features

- 限位开关结构紧凑、易安装
- 塑料外壳设计使得限位开关可作为限位、定位或参考点开关使用
- 重量轻，长寿命
- The compact and easy assembly of the proximity switches
- The plastic housing design makes the proximity switches, which can be used as limit, position or reference switches
- Light and longer life

### 限位开关参数 Proximity switches data

限位开关 Proximity switches	单位 Unit	TL-W3MC1
工作电压 Operating voltage	[VDC]	10...30
最大促发电流 Max. trigger current	[mA]	100
环境温度 Ambient temperature	[°C]	-25...+70
触发距离 Trigger distance	[mm]	3.0
防护级别 Protection class		IP67
连接器 Connectors		M3



\* 最大电流负载100mA  
Max. current load 100mA

TL-W3MC1

